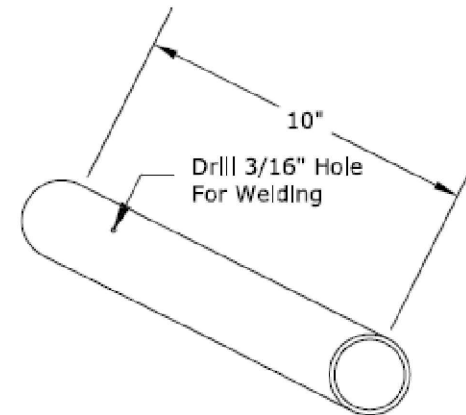



PLATE DETAIL



STANDARD FINISH TBA
 ELECTROSTATICALLY APPLIED
 POLYESTER POWDER COAT AFTER
 PHOSPHATE WASH AND HEAT DRY

		 NOVA POLE Industries Inc.	
REV	DATE	NP-CA50R8	
DRAWN	DATE	SIZE	REF DWG NO.
	02/04/14	-	-
CHECKED		DWG NO.	REV
		1 OF 1	
CONTRACTOR		SCALE	S.O.
-		NTS	-
		SHEET	1 OF 1