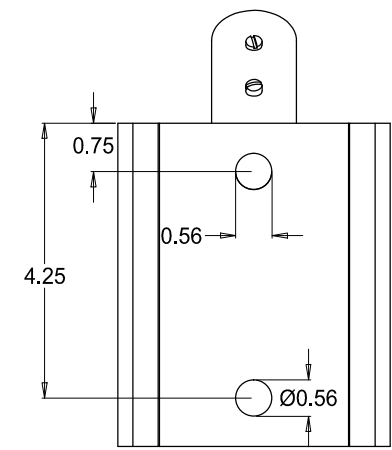
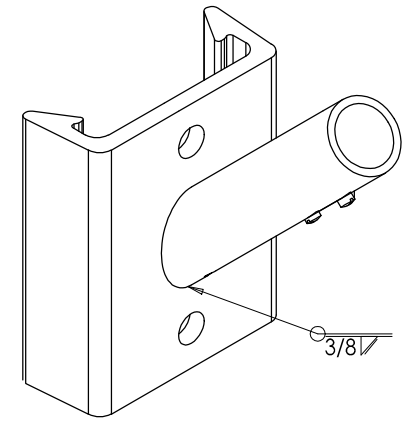



SIDE VIEW



REAR VIEW

		 <b>NOVA POLE Industries Inc.</b>		
		<b>TER FLAG HOLDER</b>		
REV	DATE			REV
DRAWN RR	DATE 13/11/15	SIZE -	REF DWG NO. -	DWG NO. 1 OF 1
CHECKED		SCALE NTS	S.O. -	SHEET 1 OF 1
CONTRACTOR -				