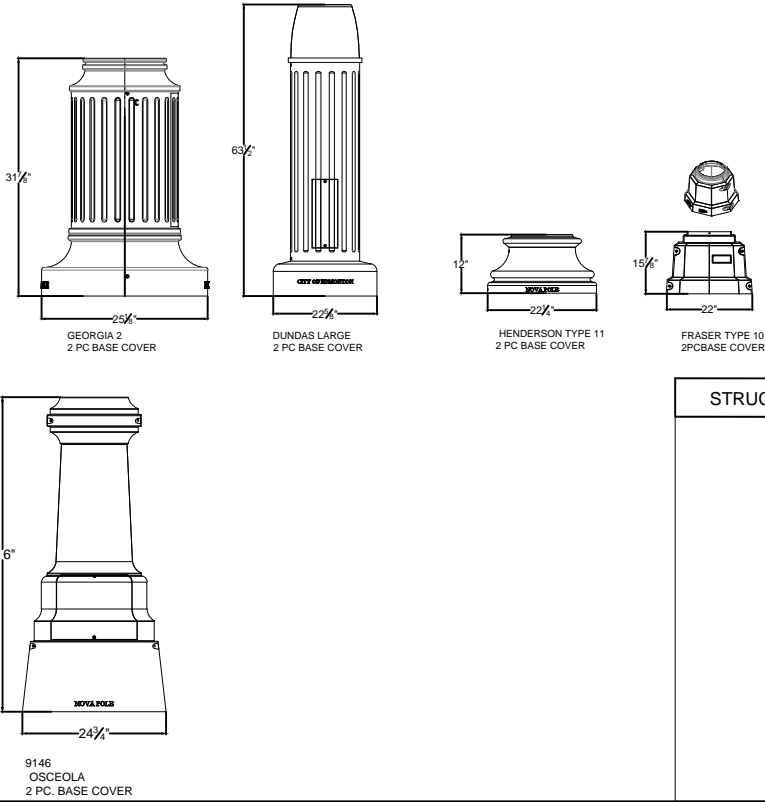
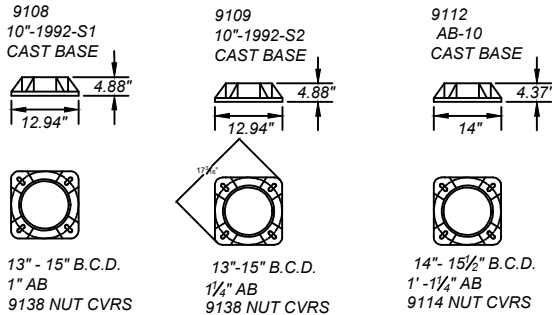


10" - 2 PC. CAST BASE COVERS



10" CAST BASE PLATES



NOVA POLE Industries Inc.

SIZE	DATE: - 02/02/2015	DWG. NO. APPROVAL	REV
SO NO.	SHEET 1 OF 1		

10IN INFORMATION SHEET

DESCRIPTION	REVISION	MADE	CHKD	SUBD	APPROVED	INSP	DATE

SCALE	11	CUSTOMER DWG. NO.
NTS		-

THIS DRAWING IS THE PROPERTY OF NOVA POLE INDUSTRIES INC. AND CONTAINS CONFIDENTIAL INFORMATION. REPRODUCTION OF THIS DRAWING IN FULL OR PART OR DISCLOSURE OF ANY INFORMATION FROM IT WITHOUT EXPRESS WRITTEN PERMISSION OF NOVA POLE INDUSTRIES INC. IS NOT PERMITTED.