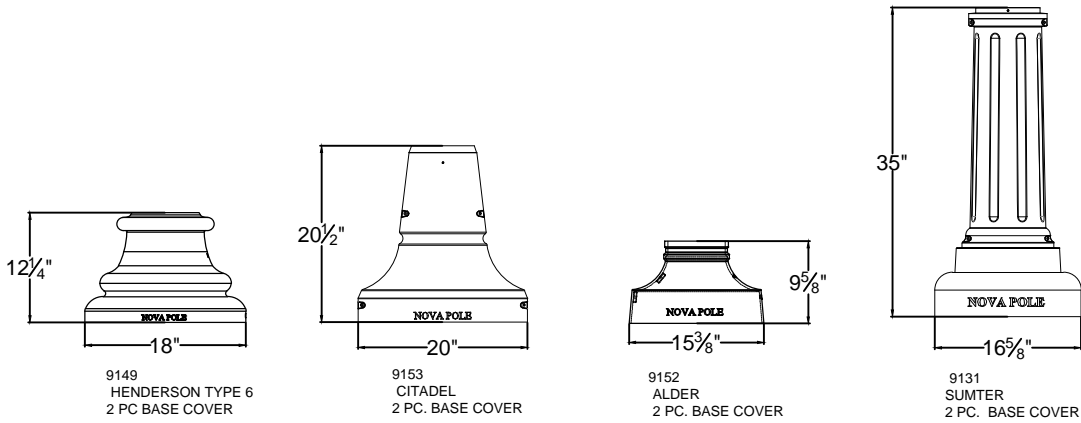


## 6" - 2 PC. CAST BASE COVERS

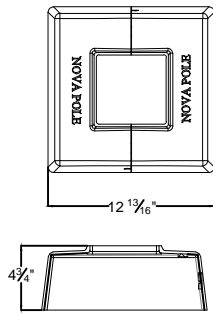


9149  
HENDERSON TYPE 6  
2 PC. BASE COVER

9153  
CITADEL  
2 PC. BASE COVER

9152  
ALDER  
2 PC. BASE COVER

9131  
SUMTER  
2 PC. BASE COVER

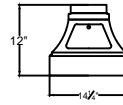


9141  
NP 6" SQ. POLE  
2PC. CAST COVER

### STRUCTURAL BASE CASTING

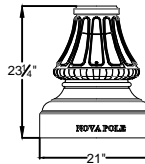


TS-6 BASE WILL ACCEPT 3 OR 4 BOLT PATTERNS @ 10.5" BOLT CIRCLE DIA.



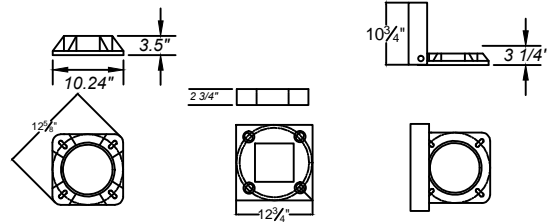
9121  
TS-6  
CAST BASE

BASE C/W REINFORCED HANDHOLE & GROUND LUG.



9132  
WASHINGTON  
CAST BASE  
BCD 11" - 14"

## 6" CAST BASE PLATES



9105  
6"-1992  
CAST BASE  
9" - 10" BCD  
1" AB

9120  
6"-2728SQ-S  
CAST BASE  
12 3/4" - 12 3/4" BCD  
1" AB

9118  
6RD-2728-H  
HINGED CAST BASE  
8 1/2" - 9" BCD  
3/2" AB

9113 NUT COVERS



NOVA POLE Industries Inc.

SIZE	DATE: - 26/01/2015	DWG NO. <b>APPROVAL</b>	REV
SO NO.	SHEET 1 OF 1		

### 6IN INFORMATION SHEET

DESCRIPTION	REVISION	MADE	CHKD	SUBD	APPROVED	INSP	DATE

SCALE	11	CUSTOMER DWG NO.
NTS		-

THIS DRAWING IS THE PROPERTY OF NOVA POLE INDUSTRIES INC. AND CONTAINS CONFIDENTIAL INFORMATION. REPRODUCTION OF THIS DRAWING IN FULL OR PART OR DISCLOSURE OF ANY INFORMATION FROM IT WITHOUT EXPRESS WRITTEN PERMISSION OF NOVA POLE INDUSTRIES INC. IS NOT PERMITTED.